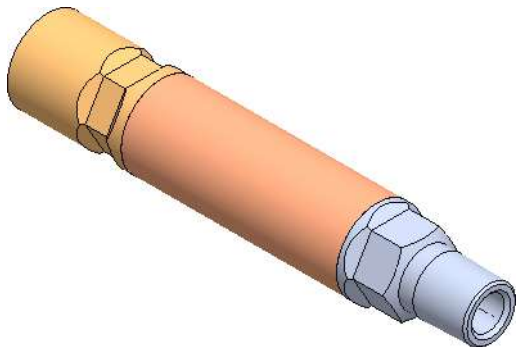


Design specification			
Nominal OD	1.25" (31.7mm)	Factory acceptance	TBD
Total length	6.81" (173 mm)		
Pressure rating	10KSI@300°F		
Check dart flow area equivalent to 0.533" ID orifice			
Minimum flow area equivalent to 0.440" orifice ID			
Upper connection: 1-14-Spirolock thread			
Lower connection: 1/2" NPT			
Check valve opening pressure: 4-5 PSI			

Sr	PART NUMBER	QTY	NAME	NOTES
1	101-3000-C	1	Upper sub	
2	101-3001-C	1	Seal	
3	101-3003-C	1	Dart, check	
4	101-3004-C	1	Body, check valve	
5	101-3005-C	1	Spring	
6	101-3006-C	1	Nose	
7	Z01990DV	1	O-Ring 019, 90DV	
8	Z02190DV	2	O-Ring 021, 90DV	



ELC Energy Services LLC <small>Proprietary note The information contained herein is the confidential property of ELC Energy Services LLC and its affiliates. It is to be used only for the benefit of LLC and should not be reproduced or used for any other purpose without written consent of ELC Energy Services LLC.</small>	Material 17-4 PH DH1150 105K YS 28-33 HRC		Title 1.25" check valve		
	Heat treat NA		Unless otherwise specified		
	Coating NA		All angles 45°		X.X +/- 0.0063" Fractional = -1/64"
	Weight Lb		Thread entry/exit 45°		X.X +/- 0.025" Angular +/- 0.5°
	Drw: ZS	Changes from previous revisions denoted by	Dimensions in inches	Dimensions in mm () are in mm	X.XX +/- 0.010" Surf. finish 0.125
	Ckd: MSJ		X.XXX +/- 0.005" T.I.R. 0.005" max		
	App: ZS		Corners R0.005 max	Break edges 0.005 max	Dwg size Scale Do not scale
	Date: 7/22/2022	3rd angle projection		Drawing Number 095-421-0000-01	Rev Sheet