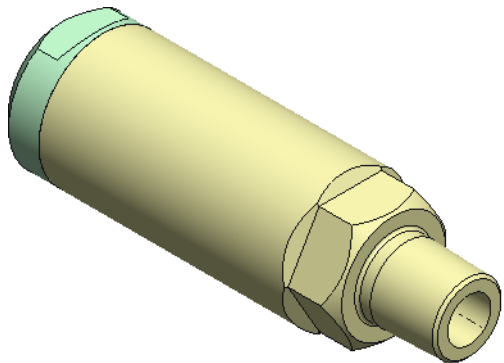


Sr	PART NUMBER	QTY	NAME	NOTES
1	101-20001-C	1	Sub, upper scheck, valve 1.5	
2	101-20002-C	1	Housing, check valve 1.5	
3	101-20101	1	Retainer, ring gasket	
4	101-20102	1	Gasket	
5	101-20103	1	Check dart	
6	101-20104	1	Spring	
7	Z02590DV	1	O-Ring025, Viton, 90D*	

Design specification

Nominal OD	1.5" (38.1mm)	Factory acceptance	API119G2
Total length	4.73" (120mm)		
Pressure rating	5KSI@300°F		



<p>ELC Energy Services LLC</p> <p><i>Proprietary note</i> The information contained herein is the confidential property of ELC Energy Services LLC and its affiliates. It is to be used only for the benefit of ELC and should not be reproduced or used for any other purpose without written consent of ELC Energy Services LLC.</p>	Material	SS316	Title		
	Heat treat	NA	ELC-2CV, 1.5" conventional check valve		
	Coating	NA	Unless otherwise specified		
	Weight	Lb			
Drw: ZS Ckd: MSJ App: ZS Date: 7/18/2023	Changes from previous revisions denoted by	All angles 45° Thread entry/exit 45° Dimensions in inches Corners R0.005 max 3rd angle projection	X.X +/- 0.0063" X.XX +/- 0.025" X.XX +/- 0.010" X.XXX +/- 0.005" Break edges 0.005 max Dwg size Scale Do not scale	Fractional +/- 1/64" Angular +/- 0.5° Surf. finish 0.125 T.I.R. 0.005" max	Rev 0 Sheet 1