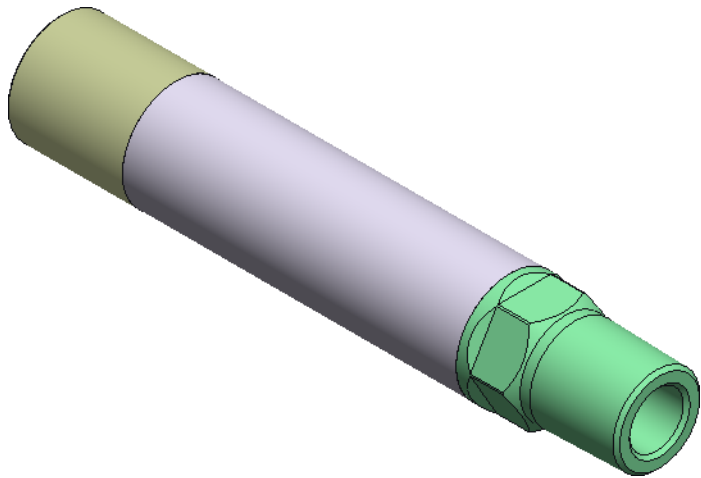


Design specification			
Nominal OD	1.00(2504 mm)	Factory acceptance	API19G2
Total length	5.53"(140 mm)		
Pressure rating	10KSI @ 300°F	For 17-4PH DH1150	material

Nr.	Part number	Qty.	Part name	Note
1	102-10032-C	1	Upper sub	
2	Z01890DV	1	O, ring, 018, Viton, 90D	
3	102-10055-C	1	Housing, check	
4	Z01790DV	1	O ring, 017, Viton, 90D	
5	102-10031-C	1	Seal, check valve	
6	102-10056-C	1	Nose	
7	102-10027-C	1	Spring, 0.73x8x0.040	
8	102-10026-C	1	Dart, check	
9	BKPRING019	1	bkpring019.prt	
10	Z01890DV	1	O, ring, 018, Viton, 90D	
11	BKPRING019	1	bkpring019.prt	



ELC Energy Services LLC <small>Proprietary note The information contained herein is the confidential property of ELC Energy Services LLC and its affiliates. It is to be used only for the benefit of ELC and should not be reproduced or used for any other purpose without written consent of ELC Energy Services LLC.</small>	Material	SS316	Title		
	Heat treat	NA	High pressure check valve 1 Inch		
	Coating	NA	Unless otherwise specified		
	Weight	Lb	All angles 45°	X. +/- 0.0063"	Fractional +/- 1/64"
	Drawn by	ZS	Thread entry/exit 45°	X.X +/- 0.025"	Angular +/- 0.5°
Checked by	MSJ	Dimensions in inches	Dimensions in mm	X.XX +/- 0.010"	Surf. finish 0.125
App'd by	ZS	Changes from previous revisions denoted by Δ	X.XXX +/- 0.005"	T.I.R. 0.005" max	
Date:	2/14/2025	3Rd angle projection	Corners R0.005 max	Break edges 0.005 max	Dwg size Scale Do not scale
			Drawing Number	091-131-0000-04	Rev 4 Sheet 1