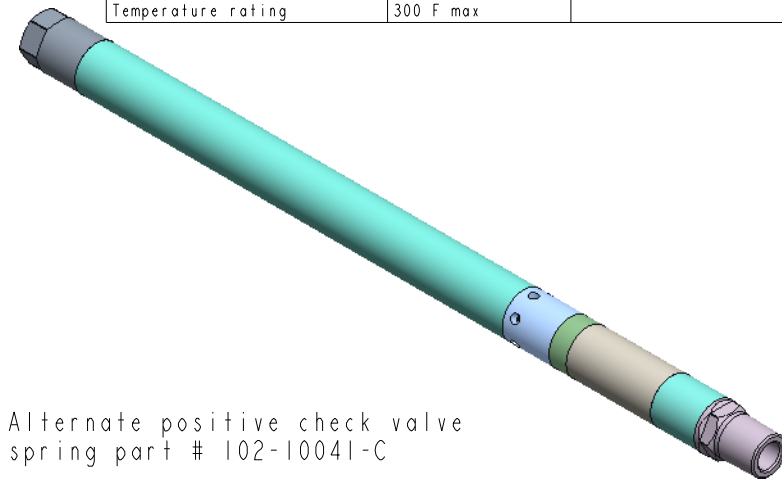


Nr.	Part number	Qty	Part name	Note
1	102-10010-C	1	Plug, tail	
2	102-10002-C	1	Housing, dome	
3	Z01490DV	1	O ring 014, 90D, Viton	
4	X10001	1	Valve, Dillcore, Nitrile	
5	Z01490DV	1	O ring 014, 90D, Viton	
6	102-10003-C	1	Sub, inlet	
7	102-10006-C	1	Bkp ring 017 TFM*	
8	Z01690DV	1	O ring 016, 90D, Viton*	
9	102-10006-C	1	Bkp ring 017 TFM*	
10	102-XXXX-C	1	BellowAB 0.31 3Ply M400	
11	102-10007-C	1	Seal, fortress	
12	102-10004-C	1	Guide, bellow	
13	102-10014-C	1	Subassembly stem,XXX,TC	
14	102-10025-C	1	Housing seat	
15	100-10008-C	1	Ring, retaining,1.0 Copper	
16	100-SIXXX-TC-1	1	Seat, 1.0, TC	
17	Z11175DV	1	O ring 111, 90D, Viton	
18	Z01890DV	1	O, ring, 018, Viton, 90D	
19	Z01790DV	1	O ring, 017, Viton, 90D	
20	102-10038-C	1	Housing, check dart	
21	102-10031-C	1	Seal, check valve	
22	102-10039-C	1	Flow sub	
23	102-10040-C	1	Spring	
24	102-10037-C	1	Dart, check	
25	Z01890DV	1	O, ring, 018, Viton, 90D	
26	102-10042-C	1	Nose	
27	Z2-11590DV	1	O ring 115, Viton, 90D	

Design specification			
Nominal OD	1.0" (25.4mm)	Factory acceptance	API9G2
Total length	16.89"(429 mm)	Max gas flow rate	2 mmscf/min
Port type	Square edge	Max liquid flow rate	1 BBL/min
Port sizes	1/8-5/16"	Validation tested	
Latch thread	NA	Setting retrieval	Tubing
Valve material	Monel 400/SS316	Quality control grade	API19G2
Seal material	Viton 90D	Functional testing grade	API19G2
Service	Standard/H2SC02		
Gas lift mandrel	Conventional		
Pressure rating max	0-2200 PSI dome		
Temperature rating	300 F max		



Alternate positive check valve spring part # 102-10041-C

ELC Energy Services LLC <small>Proprietary note The information contained herein is the confidential property of ELC Energy Services LLC and its affiliates. It is to be used only for the benefit of ELC and should not be reproduced or used for any other purpose without written consent of ELC Energy Services LLC.</small>	Material: SS316/17-4PH DH1150	Title ELCZ-ISCV gas lift valve		
	Heat treat: NA	Unless otherwise specified		
Coating: NA	All angles 45°		X. +/- 0.0063"	Fractional: +/- 1/64"
Weight Lb	Thread entry/exit 45°		X.X +/- 0.025"	Angular +/- 0.5°
Drw: ZS	Changes from previous revision denoted by Δ	Dimensions in inches	Dimensions in () are in mm	X.XX +/- 0.010"
Ckd: MSJ		Corners R0.005 max		Break edges 0.005 max
App: ZS		Dwg size		Scale
Date: 2/17/2023	3RD angle projection	Drawing Number	091-131-0000-01	Rev 2 Sheet 1