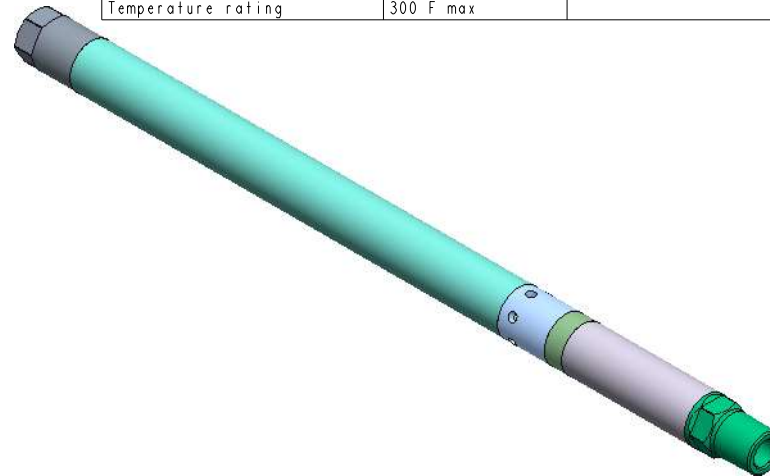


| Nr. | Part number    | Qty | Part name                      | Note   |
|-----|----------------|-----|--------------------------------|--------|
| 1   | 102-10010-C    | 1   | Plug, tail                     |        |
| 2   | 102-10002-C    | 1   | Housing, dome                  |        |
| 3   | 102-10003-C    | 1   | Sub, inlet                     |        |
| 4   | 102-XXXX-C     | 1   | BellowAB 0.3I 3Ply M400        |        |
| 5   | Z01490DV       | 1   | O-Ring 014, 90D Viton          |        |
| 6   | Z01490DV       | 1   | O-Ring 014, 90D Viton          |        |
| 7   | 102-10006-C    | 1   | Bkp ring 016 TFM*              |        |
| 8   | Z01690DV       | 1   | O-Ring 016,90D, Viton*         |        |
| 9   | 102-10006-C    | 1   | Bkp ring 016 TFM*              |        |
| 10  | X10001         | 1   | Valve, Dillcore, Nitrile       |        |
| 11  | 102-10007-C    | 1   | Seal, fortress                 |        |
| 12  | 102-10004-C    | 1   | Guide, bellow                  |        |
| 13  | 102-10014-C    | 1   | Subassembly stem,XXX,TC        |        |
| 14  | 102-10025-C    | 1   | Housing seat                   |        |
| 15  | 100-SIXXX-TC-1 | 1   | Seat, 1.0, TC                  |        |
| 16  | Z11175DV       | 1   | O-ring III, 90D, Viton         |        |
| 17  | 102-10023-C    | 1   | Housing check                  |        |
| 18  | 102-10017-C    | 1   | Nose                           |        |
| 19  | 102-10027-C    | 1   | Spring,0.73x8x0.040            |        |
| 20  | 102-10031-C    | 1   | Seal, check valve              |        |
| 21  | Z01890DV       | 1   | O, ring, 017, Viton, 90D       |        |
| 22  | 100-10008-C    | 1   | Ring, valve seat retaining,1.0 | Copper |
| 23  | Z01790DV       | 1   | O ring, 017, Viton, 90D        |        |
| 24  | Z01890DV       | 1   | O, ring, 017, Viton, 90D       |        |
| 25  | 102-10026-C    | 1   | Dart, check                    |        |

| Design specification |                 |                          |             |
|----------------------|-----------------|--------------------------|-------------|
| Nominal OD           | 1.0" (25.4mm)   | Factory acceptance       | API9G2      |
| Total length         | 14.23(361mm)    | Max gas flow rate        | 2 mmscf/min |
| Port type            | Square edge     | Max liquid flow rate     | 1 BBL/min   |
| Port sizes           | 1/8-5/16"       | Validation tested        |             |
| Latch thread         | NA              | Setting retrieval        | Tubing      |
| Valve material       | Monel 400/SS316 | Quality control grade    | API9G2      |
| Seal material        | Viton 90D       | Functional testing grade | API9G2      |
| Service              | Standard/H2SCO2 |                          |             |
| Gas lift mandrel     | Conventional    |                          |             |
| Pressure rating max  | 0-2200 PSI dome |                          |             |
| Temperature rating   | 300 F max       |                          |             |



|  |  |                                    |                             |                                      |
|--|--|------------------------------------|-----------------------------|--------------------------------------|
| <b>ELC Energy Services LLC</b><br><small>Proprietary note<br/>The information contained herein is the confidential property of ELC Energy Services LLC and its affiliates, it is to be used only for the benefit of LLC and should not be reproduced or used for any other purpose without written consent of ELC Energy Services LLC.</small> | Material: SS316                            | Title<br>ELCZ-ICCV gas lift valve  |                             |                                      |
|  | Heat treat: NA                             | Unless otherwise specified         |                             |                                      |
|  | Coating: NA                                | All angles 45°                     |                             | X. +/- 0.0063" Fractional= +/- 1/64" |
|  | Weight Lb                                  | Thread entry/exit 45°              |                             | X.X +/- 0.025" Angular +/- 0.5°      |
| Drw: ZS  | Changes from previous revisions denoted by | Dimensions in inches               | Dimensions in ( ) are in mm | X.XX +/- 0.010" Surf. finish 0.125   |
| Ckd: MSJ   |  | X.XXX +/- 0.005" T.I.R. 0.005" max |                             |                                      |
| App: ZS  |  | Corners R0.005 max                 | Break edges 0.005 max       | Dwg size Scale Do not scale          |
| Date: 9/29/2020  | 3Rd angle projection                       | Drawing Number                     | 041-121-0121-01             | Rev 2 Sheet 1                        |