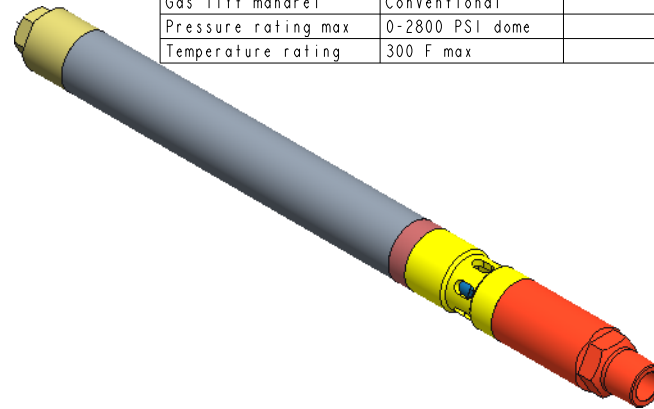


Item	Part number	Qty	Name	Note
1	102-20001-C	1	Plug, tail	
2	102-20009-C	1	Dome	
3	Z02290DV	1	O-Ring022, Viton, 90D	
4	X10001	1	Valve, Dillcore Nitrile*	
5	Z02390DV	1	O-Ring 023, 90DV	
6	102-20003-C	1	Housing, bellow	
7	BKP026TFM	1	Bkp ring 026	
8	Z02590DV	1	O-Ring025	
9	BKP026	1	bkp026.prt	
10	100-20100-AB	1	Bellow, AB,0.31, 3ply	
11	102-20004-C	1	Guide, bellow	
12	102-20008-C	1	Seal, fortress	
13	102-20007-C	1	Body,stem	
14	102-20065-C	1	Subassembly stem/ball, TC 0312	
15	102-20020-C	1	Housing, seat	
16	Z02490DV	1	O-Ring 024, 90D,Viton *	
17	102-20019-C	1	Nose	
18	Z02490DV	1	O-Ring 024, 90D,Viton *	
19	102-20017-C	1	Ring, retaining	
20	100-2SXXX-TC-15	1	Seat BC-TC-15	
21	Z21090DV	1	O-ring 210	
22	102-20022-C	1	Seal, check valve *	
23	102-20027-C	1	Retainer, seal	
24	102-20024-C	1	Spring,0.072x1.12x0.976	
25	102-20021-C	1	Dart, check	

Design specification			
Nominal OD	1.5" (38.1mm)	Factory acceptance	API9G2
Total length	18,78" (477 mm)	Max gas flow rate	6 mmscf/min
Port type	Square edge	Max liquid flow rate	2 BBL/min
Port sizes	0.187-0.5"	Validation tested	
Latch thread	NA	Setting retrieval	Tubing
Valve material	Monel 400/SS316	Quality control grade	API19G2
Seal material	Viton 90D	Functional testing grade	API19G2
Service	Standard/H2SCO2		
Gas lift mandrel	Conventional		
Pressure rating max	0-2800 PSI dome		
Temperature rating	300 F max		



Item # 20 available stem/port sizes shown on drawing # 102-20026-C
For dome charging use part #102-20016-C

ELC Energy Services LLC <small>Proprietary note The information contained herein is the confidential property of ELC Energy Services LLC and its affiliates. It is to be used only for the benefit of ELC and should not be reproduced or used for any other purpose without written consent of ELC Energy Services LLC.</small>	Material: 316SS	Title ELCZ-2C valve with standard tail plug		
	Heat treat: NA	Unless otherwise specified		
Coating: NA	All angles 45°		X.X +/- 0.0063"	Fractional: +/- 1/64"
Weight Lb	Thread entry/exit 45°		X.XX +/- 0.025"	Angular +/- 0.5°
Drw: ZS	Changes from previous revision denoted by Δ	Dimensions in inches	Dimensions in () are in mm	X.XX +/- 0.010"
Ckd: RH		X.XXX +/- 0.005"		Surf. finish 0.125
App: MSJ		Corners R0.005 max	Break edges 0.005 max	Dwg size
Date: 4/3/2025	3rd angle projection	Drawing Number	032-121-0322-16A	Rev 0 Sheet 1