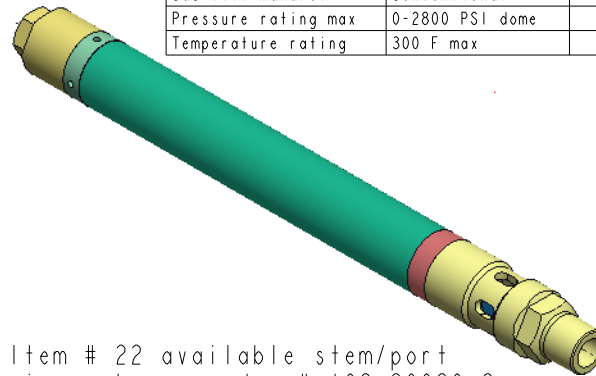


Item	Part number	Qty	Name	Note
1	102-20001-C	1	Plug, tail	
2	102-20010-C	1	Housing, Dill core	
3	Z02290DV	1	O-Ring022, Viton, 90D	
4	X10001	1	Valve, Dillcore Nitrile*	
5	Z02390DV	1	O-Ring 023, 90DV	
6	BU025TFM	1	Ring bkp, 025, TFM	
7	Z02590DV	1	O-Ring025	
8	BU025TFM	1	Ring bkp, 025, TFM	
9	102-20002-C	1	Housing, dome	
10	102-20003-C	1	Housing, bellow	
11	BKP026TFM	1	Bkp ring 026	
12	Z02590DV	1	O-Ring025	
13	BKP026TFM	1	Bkp ring 026	
14	100-20100-AB	1	Bellow, AB,0.31, 3ply Inc625	
15	102-20004-C	1	Guide, bellow	
16	102-20008-C	1	Seal, fortress	
17	102-20007-C	1	Body,stem	
18	102-20005-C	1	Sub, inlet	
19	102-20017-C	1	Ring, retaining	
20	100-2SXXX-TC-15	1	Seat BC-TC-15	
21	Z21090DV	1	O-ring 210	
22	102-20065-C	1	Subassembly stem/ball, TC 0312	

Design specification			
Nominal OD	1.5" (38.1mm)	Factory acceptance	API9G2
Total length	16.15" (410.6 mm)	Max gas flow rate	6 mmscf/min
Port type	Square edge	Max liquid flow rate	2 BBL/min
Port sizes	0.187-0.5"	Validation tested	
Latch thread	NA	Setting retrieval	Tubing
Valve material	Monel 400/SS316	Quality control grade	API19G2
Seal material	Viton 90D	Functional testing grade	API19G2
Service	Standard/H2SCO2		
Gas lift mandrel	Conventional		
Pressure rating max	0-2800 PSI dome		
Temperature rating	300 F max		



Item # 22 available stem/port sizes shown on dwg # 102-20026-C

For dome Nitrogen charging use part # 102-20016-C

ELC Energy Services LLC <small>Proprietary note The information contained herein is the confidential property of ELC Energy Services LLC and its affiliates. It is to be used only for the benefit of ELC and should not be reproduced or used for any other purpose without written consent of ELC Energy Services LLC.</small>	Material: 316SS		Title ELCZ-2C valve		
	Heat treat: NA		Unless otherwise specified		
	Coating: NA		All angles 45°		
	Weight Lb		X.X +/- 0.0063"		
	Drw: ZS		Fractional: -1/64"		
	Ckd: MSJ		Thread entry/exit 45°		
	App: ZS		X.XX +/- 0.025"		
	Date: 10/27/2023		Angular +/- 0.5°		
	Changes from previous revision denoted by Δ		Dimensions in inches		
			Dimensions in () are in mm		
		X.XXX +/- 0.005"			
		Surf. finish 0.125			
		T.I.R. 0.005" max			
		Corners R0.005 max			
		Break edges 0.005 max			
		Dwg size Scale Do not scale			
		3Rd angle projection Drawing Number 032-121-0322-01 Rev 4 Sheet 1			