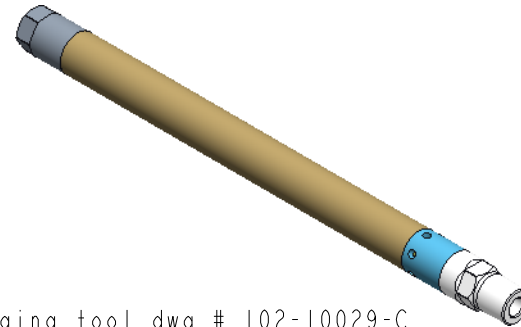


Nr.	Part number	Qty	Part name	Note
1	102-10010-C	1	Plug, tail	
2	102-10105-C	1	Housing, dome 1.0"	
3	Z01490DV	1	O ring 014, 90D, Viton	
4	102-10003-R	1	Washer copper ODO 11/32x1/16	
5	102-10002-R	1	Plug, tail	
6	Z01090D	1	O-Ring 010, 90D Viton.prt	
7	Z01490DV	1	O ring 014, 90D, Viton	
8	X10001	1	Valve, Dillcore, Nitrile	
9	102-10003-C	1	Sub, inlet	
10	102-XXXX-C	1	BellowAB 0.31 3Ply M400	
11	Z01690DV	1	O ring 016, 90D, Viton*	
12	102-10006-C	1	Bkp ring 017 TFM*	
13	102-10006-C	1	Bkp ring 017 TFM*	
14	102-10004-C	1	Guide, bellow	
15	102-10014-C	1	Subassembly stem,XXX,TC	
16	102-10007-C	1	Seal, fortress	
17	102-10009-C	1	Housing, seat	
18	100-10008-C	1	Ring, retaining,1.0 Copper	
19	100-S1XXX-TC-1	1	Seat, 1.0, TC	
20	Z11175DV	1	O ring 111, 90D, Viton	

Design specification			
Nominal OD	1.0" (25.4mm)	Factory acceptance	API9G2
Total length	14.03(356.3mm)	Max gas flow rate	2 mmscf/min
Port type	Square edge	Max liquid flow rate	1 BBL/min
Port sizes	1/8-3/8"	Validation tested	
Latch thread	NA	Setting retrieval	Tubing
Valve material	Monel 400/SS316	Quality control grade	API19G2
Seal material	Viton 90D	Functional testing grade	API19G2
Service	Standard/H2SCO2		
Gas lift mandrel	Conventional		
Pressure rating max	0-2800 PSI dome		
Temperature rating	300 F max		



Use dome charging tool dwg # 102-10029-C

ELC Energy Services LLC <small>Proprietary note The information contained herein is the confidential property of ELC Energy Services LLC and its affiliates. It is to be used only for the benefit of ELC and should not be reproduced or used for any other purpose without written consent of ELC Energy Services LLC.</small>	Material: SS316	Title: ELCZ-IC valve with HPT plug		
	Heat treat; NA	Unless otherwise specified		
Coating: NA	All angles 45°		X. +/- 0.0063"	Fractional: +/- 1/64"
Weight Lb	Thread entry/exit 45°		X.X +/- 0.025"	Angular +/- 0.5°
Drw: ZS	Changes from previous revision denoted by Δ	Dimensions in inches	Dimensions in mm	X.XX +/- 0.010"
Ckd: MSJ		Corners R0.005 max	Break edges 0.005 max	X.XXX +/- 0.005"
App: ZS		Dwg size		Scale
Date: 12/18/2023		3Rd angle projection	Drawing Number 031-121-0321-07	Rev 0 Sheet 1